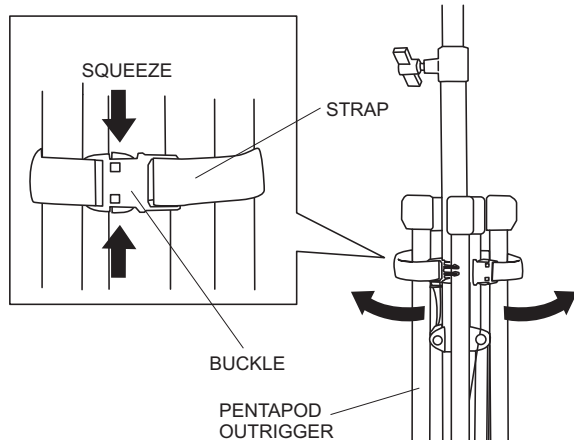


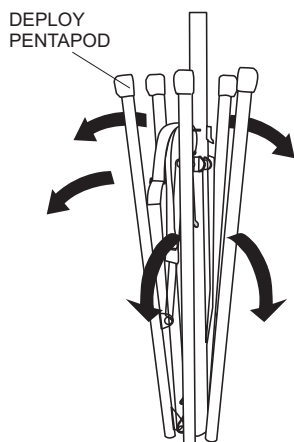
## GBW/GBWE SETUP

1. Set the GBW on a firm level surface where there is enough space around the pentapod for the outriggers to be deployed.
2. Remove the pentapod from the carrying case. The pentapod outriggers are secured together with a strap. See Figure 6. Squeeze both tabs on the buckle to unlock strap and release pentapod outriggers.



**Figure 6. Releasing Pentapod Buckle**

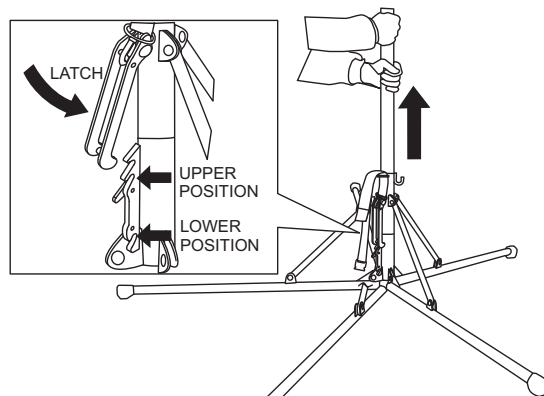
3. Lift mast up and deploy the pentapod as shown in Figure 7.



**Figure 7. Deploying the Pentapod**

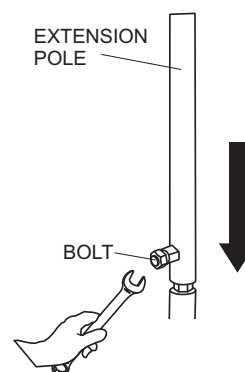
4. With pentapod fully deployed, hook the latch to lock the pentapod in place. The latch can be hooked in the

upper or lower position. Placing the lock in the upper position will provide 1 foot (305 mm) more height. See Figure 8.



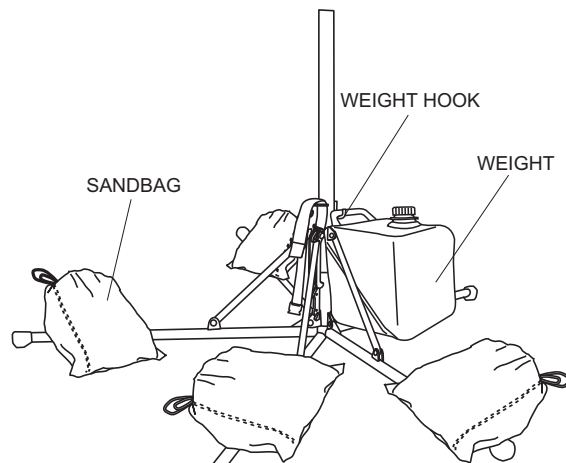
**Figure 8. Securing the Pentapod**

5. For the GBWE, attach the extension pole to the top of the mast as shown in Figure 9.



**Figure 9. Attaching Extension Pole (GBWE)**

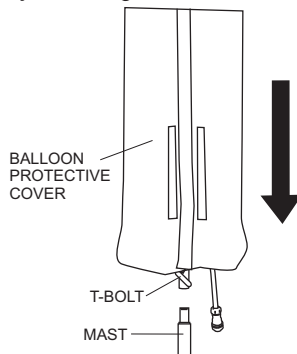
6. To improve stability and prevent tipping of the lighting system, place sand bags on the outriggers or similar weight on the weight hook as shown in Figure 10.



**Figure 10. Sand Bags and Weight**

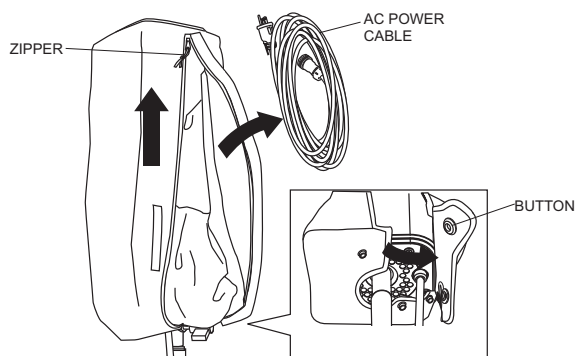
## BALLOON INSTALLATION (GBW/GBWE/GBS)

1. Insert the balloon assembly into the mast. Tighten the T-bolt securely. See Figure 15.



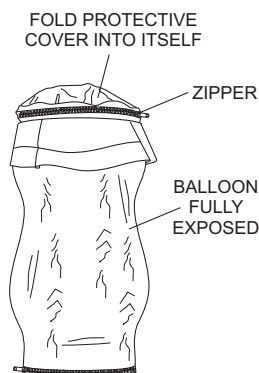
**Figure 15. Installing the Balloon**

2. Unsnap the three buttons on the bottom of the balloon cover and unzip the cover. See Figure 16
3. Remove the AC Power Cable from the inside pocket of the balloon cover. See Figure 16.



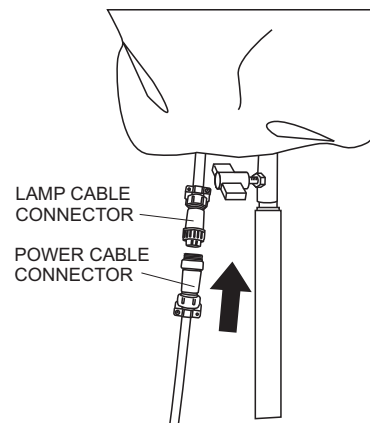
**Figure 16. Removal of AC Power Cable from Balloon Cover**

4. Fold the balloon cover into itself and zip it up. See Figure 17.



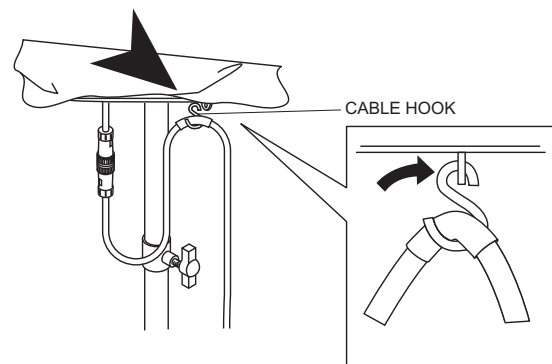
**Figure 17. Folding Balloon Cover**

5. Connect the power cable to the lamp cable connector. See Figure 18.



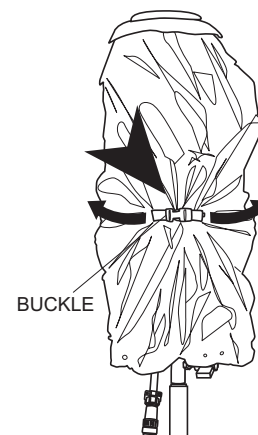
**Figure 18. Connecting the Power Cable**

6. Secure the power cable by hooking it to the eyelet on the bottom of the balloon as shown in Figure 19.



**Figure 19. Securing Cable with Hook**

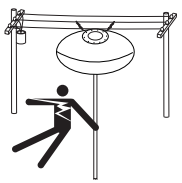
7. Release the buckle on the belt holding the balloon together. See Figure 20.



**Figure 20. Releasing Buckle**

## RAISING THE MAST (GBW/GBWE)

### DANGER

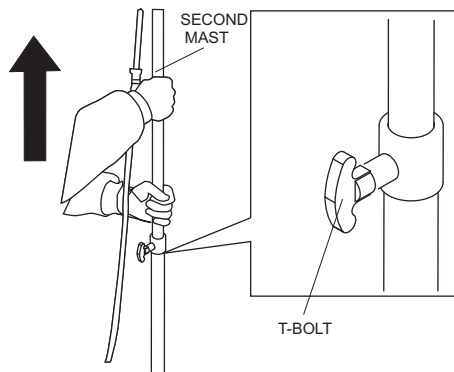


**ALWAYS** make sure the area above the lighting system is open and clear of overhead power lines and other obstructions. Contact with overhead power lines or other obstructions could result in equipment damage, **electrical shock, electrocution and even death.**

### CAUTION

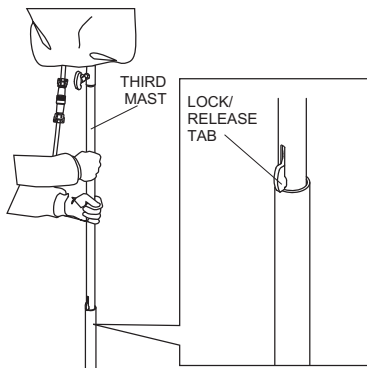
When raising or lowering the mast, keep hands and fingers clear of the mast sections to prevent hand and fingers from getting pinched.

1. Raise the second mast to the desired height and tighten the T-bolt securely. See Figure 23.



**Figure 23. Raising the Second Mast**

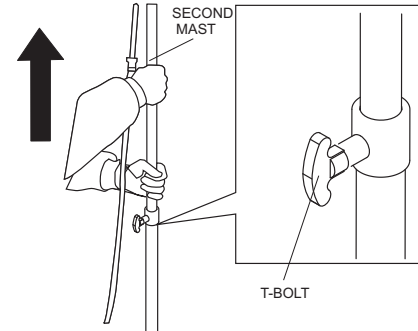
2. To raise the mast higher, raise the third mast until the lock/release tab pops out. The tab will automatically rest on the second mast. See Figure 24.



**Figure 24. Raising the Third Mast**

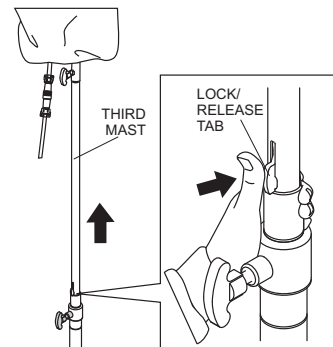
## LOWERING THE MAST (GBW/GBWE)

1. Loosen the T-bolt holding the second mast and push mast all the way down. Tighten T-bolt securely. See Figure 25.



**Figure 25. Lowering Second Mast**

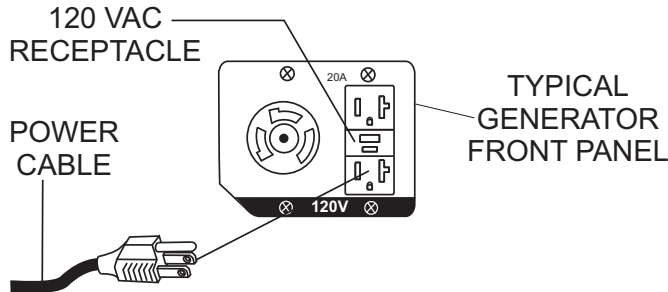
2. Push the lock/release tab on the third mast to release it and lower third mast. See Figure 26.



**Figure 26. Lowering Third Mast**

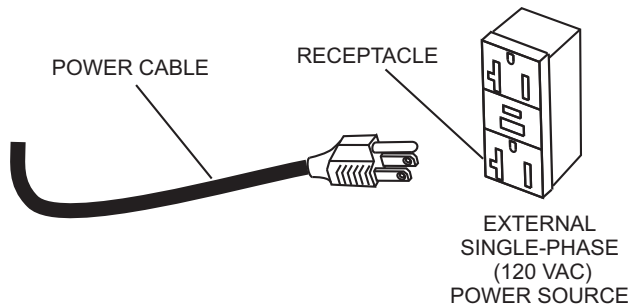
## APPLYING POWER

1. If using a portable generator, plug the AC power cable to the 120 VAC receptacle on the generator used. See Figure 27.



**Figure 27. Connecting to Generator**

2. Start the generator as indicated in the generator manual.
3. If using power source other than a portable generator, plug the AC power cord to a 120 VAC, receptacle. See Figure 28.



**Figure 28. Connecting to 120 VAC Receptacle**

4. The balloon will start to inflate as soon as power is applied and the lamp will turn on.

### NOTICE

If the power cable is accidentally unplugged from the power source, wait three to five minutes before reconnecting the power. This will allow time for the fan to reset and ensure balloon will inflate properly when power is reconnected.

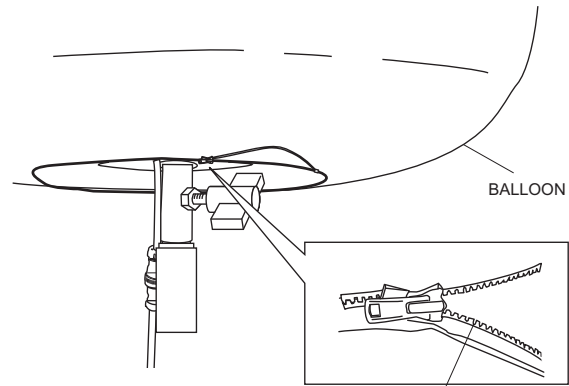
## SHUTDOWN

1. Turn off the power switch of the generator.
2. Disconnect the AC power cable from the generator. The balloon should start to deflate and the lamp will

turn off.

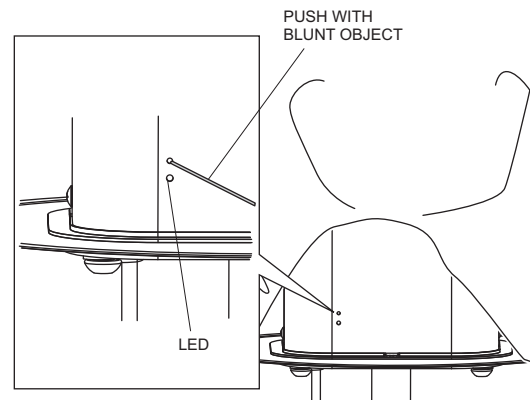
## SHUTTING DOWN LAMP ONLY

1. Unzip the bottom of the balloon. See Figure 29.



**Figure 29. Unzipping Balloon**

2. Push the button above the LED with a blunt object for three seconds as shown in Figure 20. LED will turn red and the lamp will turn off. The balloon will remain deployed.



**Figure 30. Turning Off Lamp Only**

### NOTICE

To turn lamp back on, unplug the power cable from the power source. Wait three to five minutes before reconnecting the power. Reconnect the power cable and the lamp should turn on and the balloon will inflate.

## STORAGE (GBW/GBWE)

Before storing the GBW/GBWE Lighting System, perform the following steps.

### NOTICE

Allow about 15 to 20 minutes for the lamp to cool down before storing the GBW/GBWE. The possibility exists of the balloon getting burned if it touches a hot lamp.

1. Disconnect the lamp connector from the AC power cable.
2. Unhook the AC power cable from the eyelet at the bottom of the balloon.
3. Make sure the mast is completely lowered as described in LOWERING THE MAST section.
4. Lock the buckle to secure the balloon together.
5. Unzip the zipper on the protective cover and pull down cover over the balloon/lamp assembly.
6. Place the AC power cable in the pocket inside the protective cover and attach velcro tabs.
7. Loosen the T-bolt on the balloon/lamp assembly and lift balloon/lamp assembly from the mast.
8. Lift mast while pulling up strap (Figure 31).

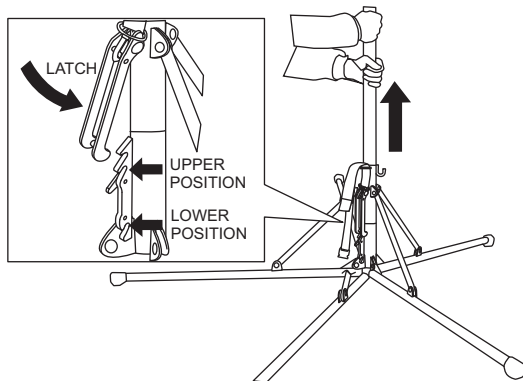


Figure 31. Unlocking the Latch

9. Continue pulling upward on the mast until all the pentapod legs are fully retracted and are stowed. See Figure 32.

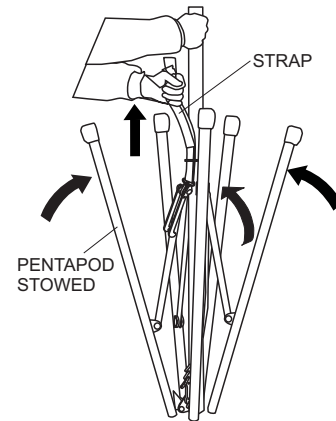


Figure 32. Stowing the Pentapod

10. Once pentapod legs are all in stow position, wrap strap around all five legs and secure by locking the buckle. See Figure 33.

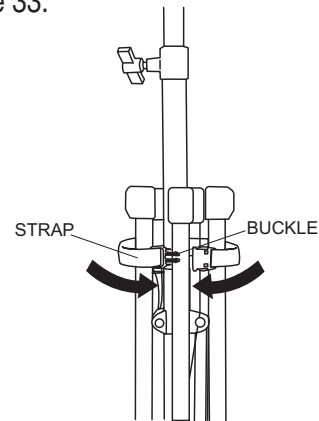


Figure 33. Locking Up Stowed Pentapod

11. Place the stowed pentapod inside the carrying case. See Figure 34.

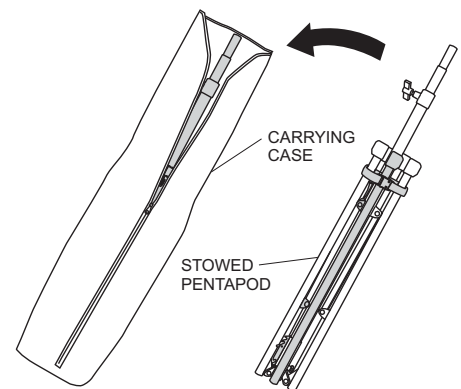


Figure 34. Storing in Carrying Case